

Product: Cluster	Description Horn Capacitor Marine Cluster IO and OB	Date Jan 08
Type: Electrical		Issue 1

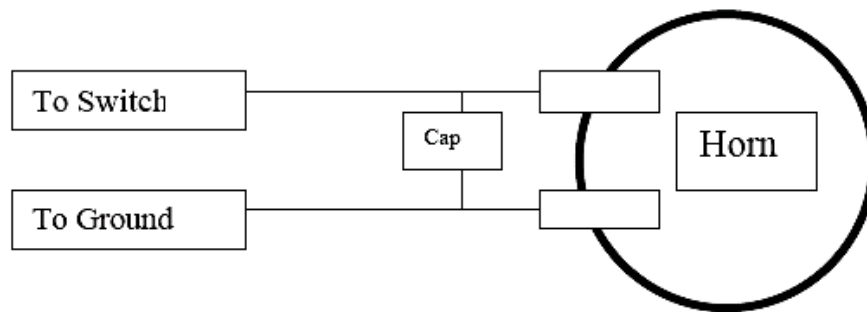
VDO Marine Customer Service Bulletin

Product Line: All Marine Clusters, I/O and OB **Date:** 6.3.99

Problem: Using the signal horn will sometimes cause the Cluster to reset (Turn off and then On).

The boat Horn when used will cause a momentary voltage drop that may exceed the cluster 7 volt working threshold causing the cluster to shut off to protect the processor. The cluster will automatically reset when the horn button is released however the depth and clock settings will reset to the default of “No depth alarm” and “12:00”

Field Solution: Installing a 50v, 10 μ f, non polarized Capacitor between the two Horn contacts will eliminate this problem.



The capacitors are available from VDO by calling 1-800-441-1836 or at most electronics stores. (Radio Shack # 272-999)

A permanent corrective action has been taken to see that all future wire harnesses will be built with this unit installed.

Marine