

## 18. Spare Parts And Accessories

### Contents

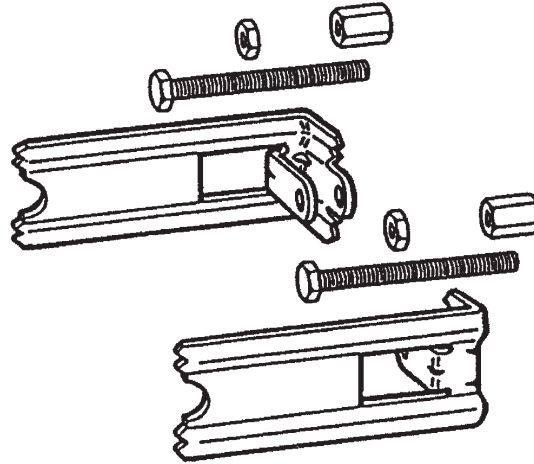
### Page

Mounting brackets, clamp rings	18 - 2
Illuminations, colour caps	18 - 3
Wiring kit, three-way socket	18 - 4
Female connector housing, blocking diode	18 - 5
Dropping resistor 24 V, reducing ring	18 - 6

## 18. Spare Parts And Accessories

(in bag)

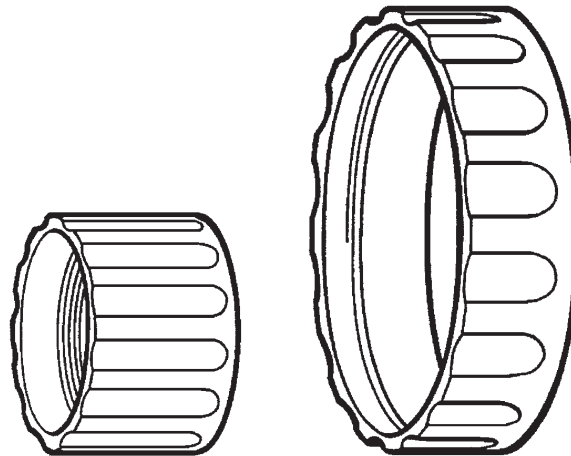
### Mounting Brackets



for instruments, dia. 80 mm / dia. 100 mm and  
for tachometers, ammeters (150 Amp.), pyrometers and outside temperature gauges, dia. 52 mm

consisting of	Part No.
2x bracket	<b>800-005-001G</b>
2x hex screw (M4 x 45 ISO 4017)	
2x hex nut (M4 ISO 4032)	
2x nut (M4)	

### Clamp Rings



for instruments, dia. 52 mm / dia. 80 mm / dia. 100 mm

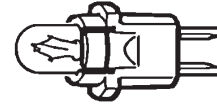
consisting of	Part No.
1x clamp ring, dia. 52 mm	<b>800-005-015G</b>
1x clamp ring, dia. 80 mm	<b>800-005-005G</b>
1x clamp ring, dia. 100 mm	<b>800-005-007 G</b>

## 18. Spare Parts And Accessories

(in bag)

### Illumination

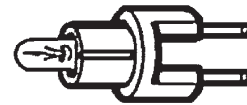
Lamp holder for clip-in, thick light bulb



consisting of		Part No.
2x	lamp holder with light bulb 12 V 2 W	<b>800-005-002G</b>
2x	lamp holder with light bulb 24 V 2 W	<b>800-005-003G</b>

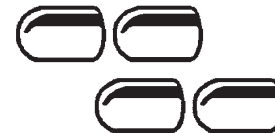
### Illumination

Lamp holder for push-in, thin light bulb  
for tachometers, ammeters (150 Amp.), pyrometers and outside temperature gauges, dia. 52 mm



consisting of		Part No.
1x	lamp holder with light bulb 12 V 1,2 W	<b>800-005-019G</b>

### Colour Caps (VDO cockpit vision)



red and green for thick light bulb

consisting of		Part No.
2x	colour cap, red	<b>800-005-004G</b>
2x	colour cap, green	

### Colour Caps (VDO cockpit vision)



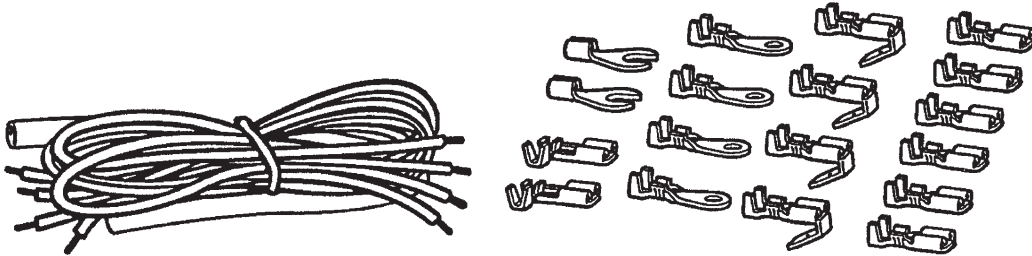
red and green for thin light bulb

consisting of		Part No.
1x	colour caps, red	<b>800-005-014G</b>
1x	colour caps, green	

## 18. Spare Parts And Accessories

(in bag)

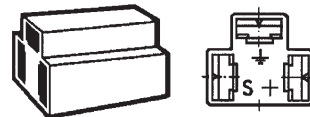
### Wiring Kit



(not for ammeters)

consisting for	Part No.
6x spade connector	<b>X11-000-005-037</b>
4x plug distributor	
4x connecting eye	
2x open tongue terminal	
2x spade connector, angled	
1x cable, green (0.75 mm <sup>2</sup> ) 3000 mm	
1x cable, red (0.75 mm <sup>2</sup> ) 1500 mm	
1x cable, grey-red (0.75 mm <sup>2</sup> ) 1500 mm	
1x cable, brown (0.75 mm <sup>2</sup> ) 1500 mm	
1x insulating tube, black, 200 mm	

### Three-way Socket For Tab Terminal



for pressure gauges, temperature gauges, fuel level gauges and voltmeters

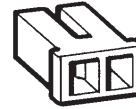
consisting of	Part No.
100x female connector housing, three-way, grey	<b>999-115-015</b>

## 18. Spare Parts And Accessories

(in bag)

### Female Connector Housing, Two-way

for lamp holder with thick light bulb

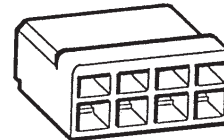


consisting of  
100x female connector housing, two-way, light grey

Part No.  
**999-115-150**

### Female Connector Housing, Eight-way

for speedometers and tachometers,  
dia. 80 mm / dia. 100 mm



consisting of  
100x female connector housing, eight-way, colourless

Part No.  
**999-115-016**

### Spade Connector 6.3 x 0.8 mm

for all female connector housings



consisting of  
100x spade connector with snap-in hooks

Part No.  
**X11-000-002-021**

### Blocking Diode

for tachometers  
(see SI No. 402 001)



consisting of  
1x blocking diode

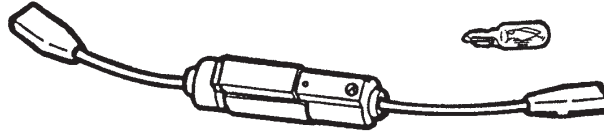
Part No.  
**X11-397-109-134**

## 18. Spare Parts And Accessories

(in bag)

### Dropping Resistor 24 V Kit for VDO cockpit vision

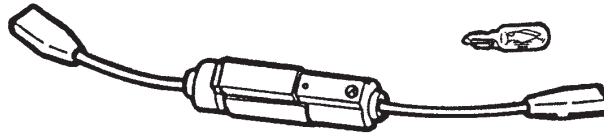
for tachometers, dia. 52 mm and  
outside temperature gauges, dia. 52 mm



consisting of	Part No.
1x dropping resistor (24 V)	<b>800-005-011G</b>
1x light bulb (24 V 1.2 W)	

### Dropping Resistor 24 V Kit for VDO cockpit international

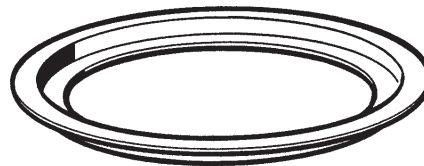
for tachometers, dia. 52 mm,  
ammeters (150 Amp.), dia. 52 mm,  
pyrometers, dia. 52 mm and  
outside temperature gauges, dia. 52 mm



consisting of	Part No.
1x dropping resistor (24 V)	<b>800-005-011G</b>
1x light bulb (24 V 2 W)	

### Reducing Ring

from dia. 60 mm to dia. 52 mm



consisting of	Part No.
1x reducing ring, black	<b>14-067-014-5162</b>